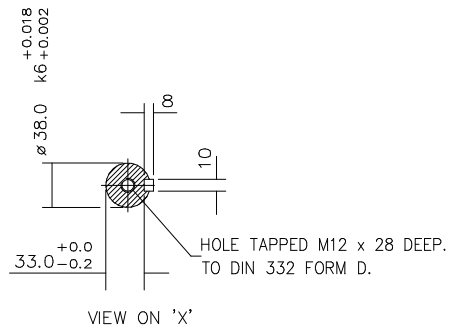
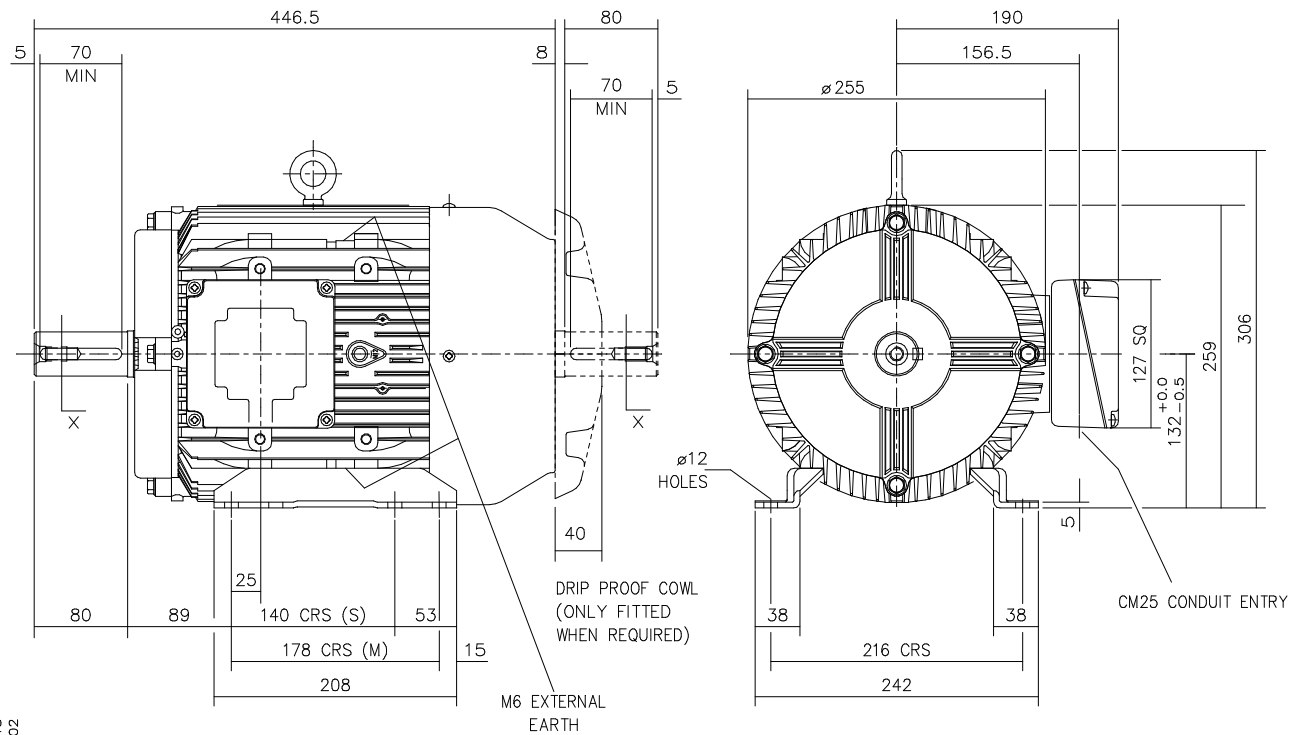


DRG. No. W28GF000/3

DRG. REF.



TERMINAL BOX POSITION : - CAN BE ARRANGED AT EITHER 9, 12 OR 3 O'CLOCK BY MOVING FEET.
STANDARD TERMINAL BOX POSITION IS 3 O'CLOCK AS SHOWN.
CONDUIT ENTRIES:- TERMINAL BOX CAN BE ROTATED AT 90° INTERVALS
(CONDUIT ENTRY POSITION SHOWN FOR ILLUSTRATION ONLY).

CUSTOMER.		
ORDER No.		
PART No.		
FRAME SIZE.		
KW.	RPM.	
Hz.	PHASE.	
VOLTS.	POLES.	
BRGS.	DE.	NDE.
MOTOR NETT WT.		Kg.
SPECIAL REMARKS		

ALL DIMENSIONS IN MILLIMETRES.

FIRST ANGLE PROJECTION

BROOK CROMPTON

Huddersfield, HD1 3LJ
ENGLAND

SHEET SIZE A3	TITLE	DRG. No.	W28GF000/3	
	OUTLINE DIMENSION DRAWING W ALUMINIUM TOTALLY ENCLOSED FAN COOLED	DRG. REF.		
	132S/M FRAME FOOT MOUNTED MOTOR	REVISION:	DH	DATE 04/08/03
		NAME	DATE	
	DRAWN	MI	22-08-95	
	CHECKED	JWD	22-08-95	
	SCALE	1 : 4		